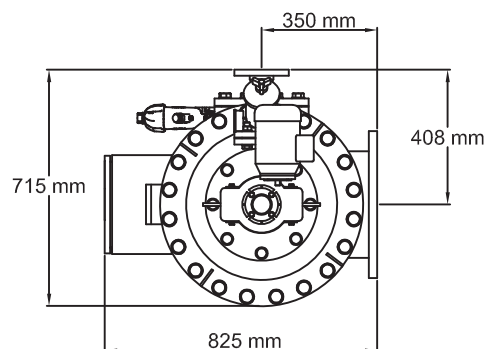


- Ⓐ Colector drenaje 2"
2" Drainage manifold
- Ⓑ Colector entrada 12"
12" Inlet manifold
- Ⓒ Colector salida 12"
12" Outlet manifold



AZUD LUXON LDB 12300/12

SCALE S/E A4 FORMAT	MATERIAL:	RESPONS.: M. Martínez	AZUD
	UNITS: mm.	REVISION: 00	
	FILE: Azud_luxon_LDB_12300-12.dwg	07/05/2012	